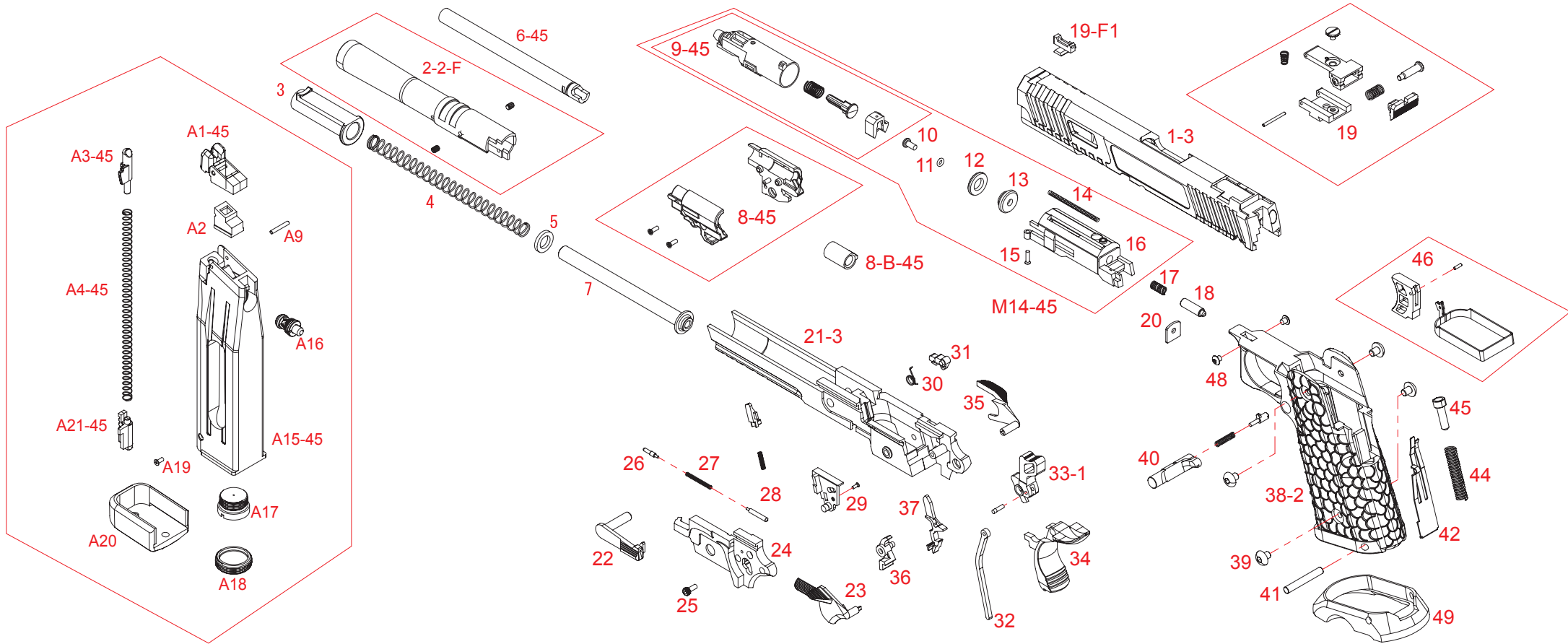


# KL HI-CAPA 4.5mm SCHEMATIC



| No     | DESCRIPTION              |
|--------|--------------------------|
| A1-45  | Magazine Lip             |
| A2     | Air Nozzle Rubber        |
| A3-45  | Magazine Bar             |
| A4-45  | Magazine Spring          |
| A9     | Pin                      |
| A15-45 | CO2 Magazine Frame       |
| A16    | CO2 Magazine Valve       |
| A17    | CO2 Cartridge Stab       |
| A18    | CO2 Cartridge Base Cover |
| A19    | Screw                    |
| A20    | CO2 Magazine Bottom      |
| A21-45 | Magazine Base Catch      |
| M14-45 | Air Nozzle Set           |

| No     | DESCRIPTION                         |
|--------|-------------------------------------|
| 1      | Slide(Athletics ver.)               |
| 1-1    | Slide(5.1" ver.)                    |
| 1-3    | Baba Yaga Slide                     |
| 2-2-F  | Baba Yaga Outer Barrel(Fixing Type) |
| 3      | Recoil Spring Plug                  |
| 4      | Recoil Spring(5.1 Ver.)             |
| 5      | Rubber Washer                       |
| 6-45   | Inner Barrel(5.1 Ver.)              |
| 7      | Recoil Spring Guide(5.1 Ver.)       |
| 8-45   | Hop-Up Chamber                      |
| 8-B-45 | Hop Bucking                         |
| 9-45   | Air Nozzle                          |
| 10     | Screw                               |
| 11     | O Ring                              |

| No    | DESCRIPTION                     |
|-------|---------------------------------|
| 12    | Piston                          |
| 13    | Piston O Ring                   |
| 14    | Nozzle Spring                   |
| 15    | Screw                           |
| 16    | Air Nozzle base                 |
| 17    | Firing pin Spring               |
| 18    | Dummy Firing pin                |
| 19    | Raer Sight                      |
| 19-F1 | Front Sight                     |
| 20    | Plate                           |
| 21    | Lower Receiver (5.1" ver.)      |
| 21-2  | Lower Receiver (Athletics ver.) |
| 21-3  | Lower Receiver (Baba Yaga ver.) |
| 22    | Slide Stop                      |
| 23    | Safety                          |
| 24    | Hammer base                     |

| No   | DESCRIPTION            |
|------|------------------------|
| 25   | Screw                  |
| 26   | Pin                    |
| 27   | Spring                 |
| 28   | Pin                    |
| 29   | Hammer base cover      |
| 30   | Sear Spring            |
| 31   | Impact Pin             |
| 32   | Hammer Guide           |
| 33-1 | Hammer(4.3" Ver.)      |
| 34   | Grip Safety(5.1" Ver.) |
| 35   | Screw                  |
| 36   | Shear Spring           |
| 37   | Shear                  |

| No   | DESCRIPTION                   |
|------|-------------------------------|
| 36   | Sear Spring                   |
| 37   | Shear                         |
| 38   | Grip(Athletics" Ver.)         |
| 38-1 | Grip(5.1" & 4.3" Ver.)        |
| 38-2 | Baba Yaga Grip                |
| 39   | Screw                         |
| 40   | Magazine Catch                |
| 41   | Main Spring Housing Pin       |
| 42   | Sear Spring                   |
| 43   | Main Spring Housing(5.1 Ver.) |
| 44   | Main Spring                   |
| 45   | Main Spring Screw             |
| 46   | Trigger                       |
| 47   | Flash Hider                   |
| 48   | Screw                         |